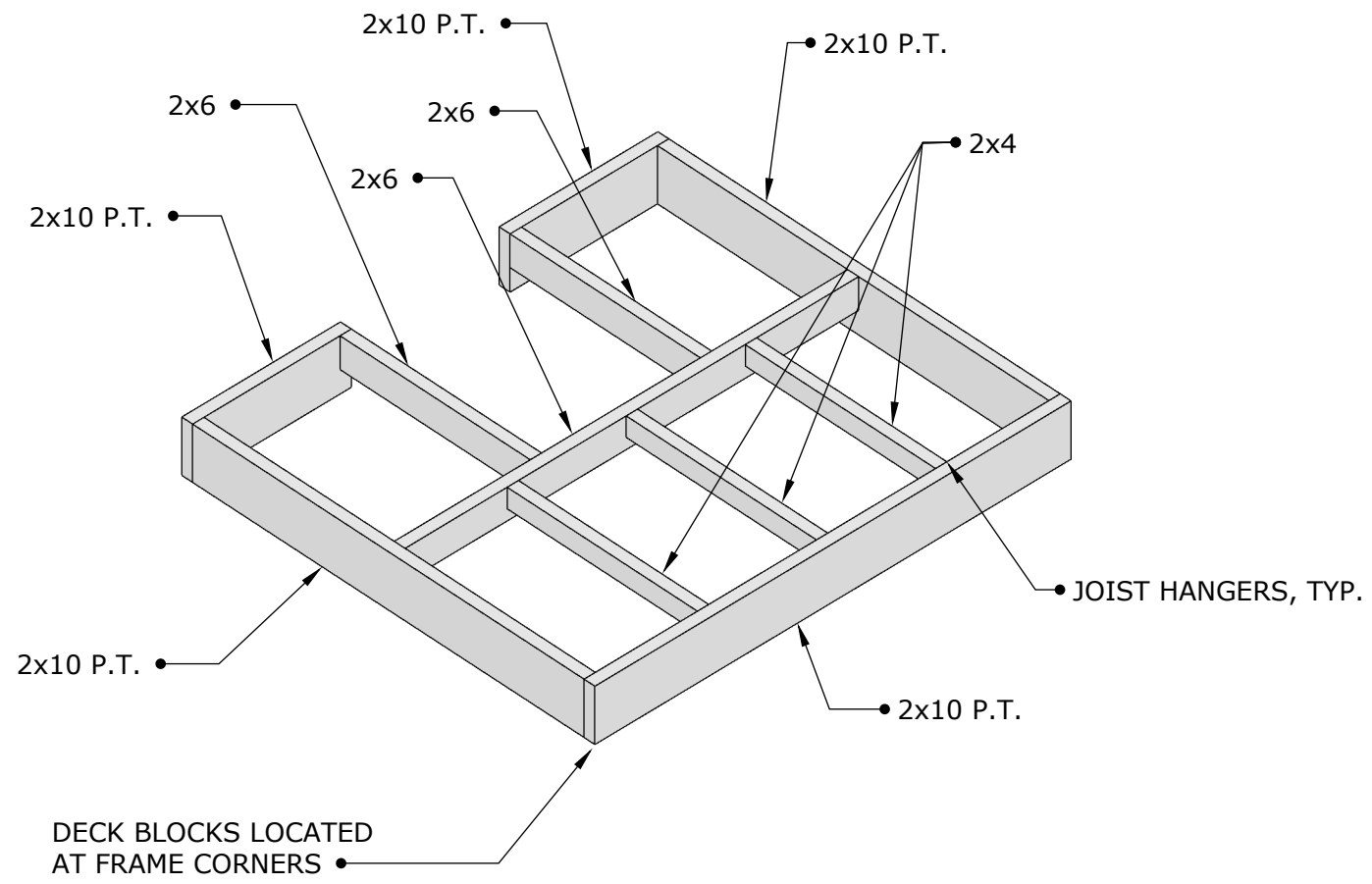


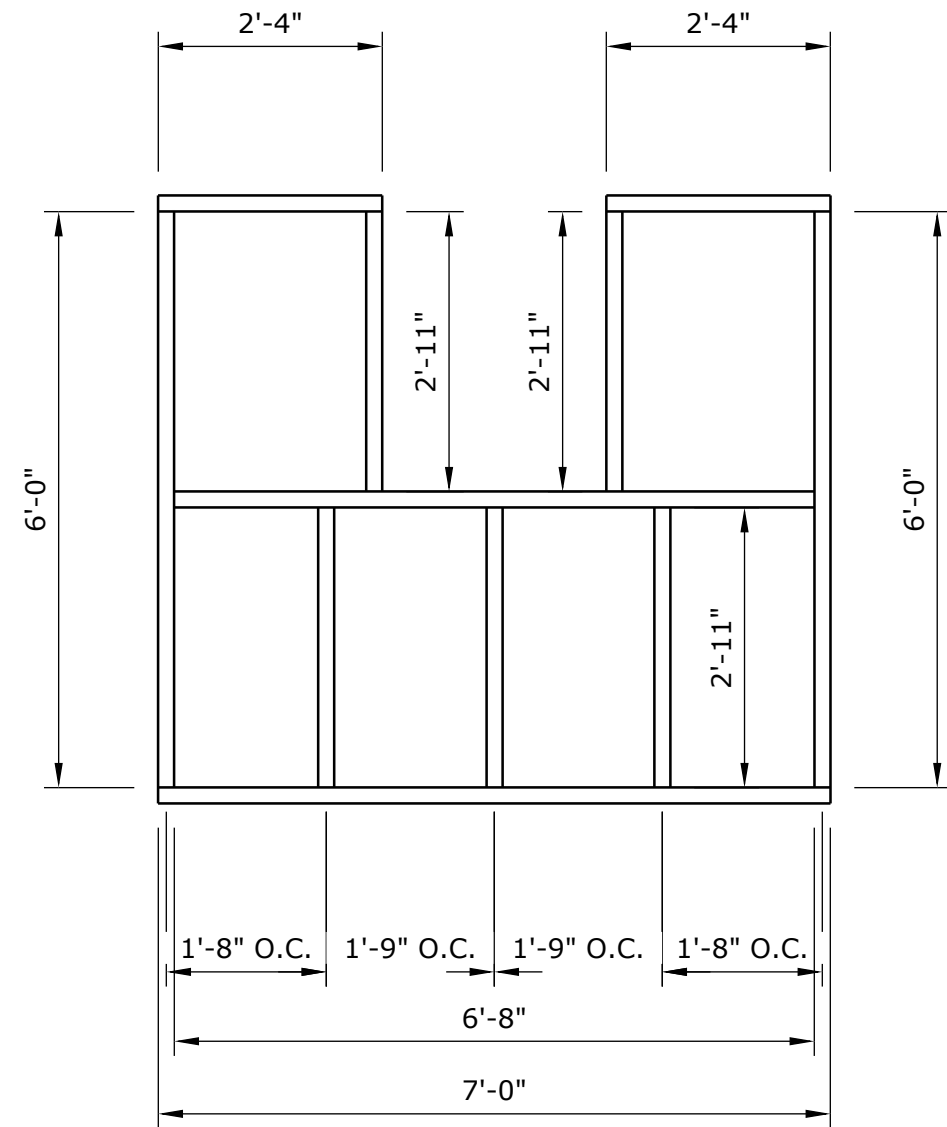
MENSTRUAL HAVEN / COMPOST PORTA-POTTY PROTOTYPE

PREPARED FOR STONEHEDGE GARDENS
DESIGNED BY NICKY RHODES WITH KELSEY McWILLIAMS, POINT OF SHIFT
AUGUST 2021



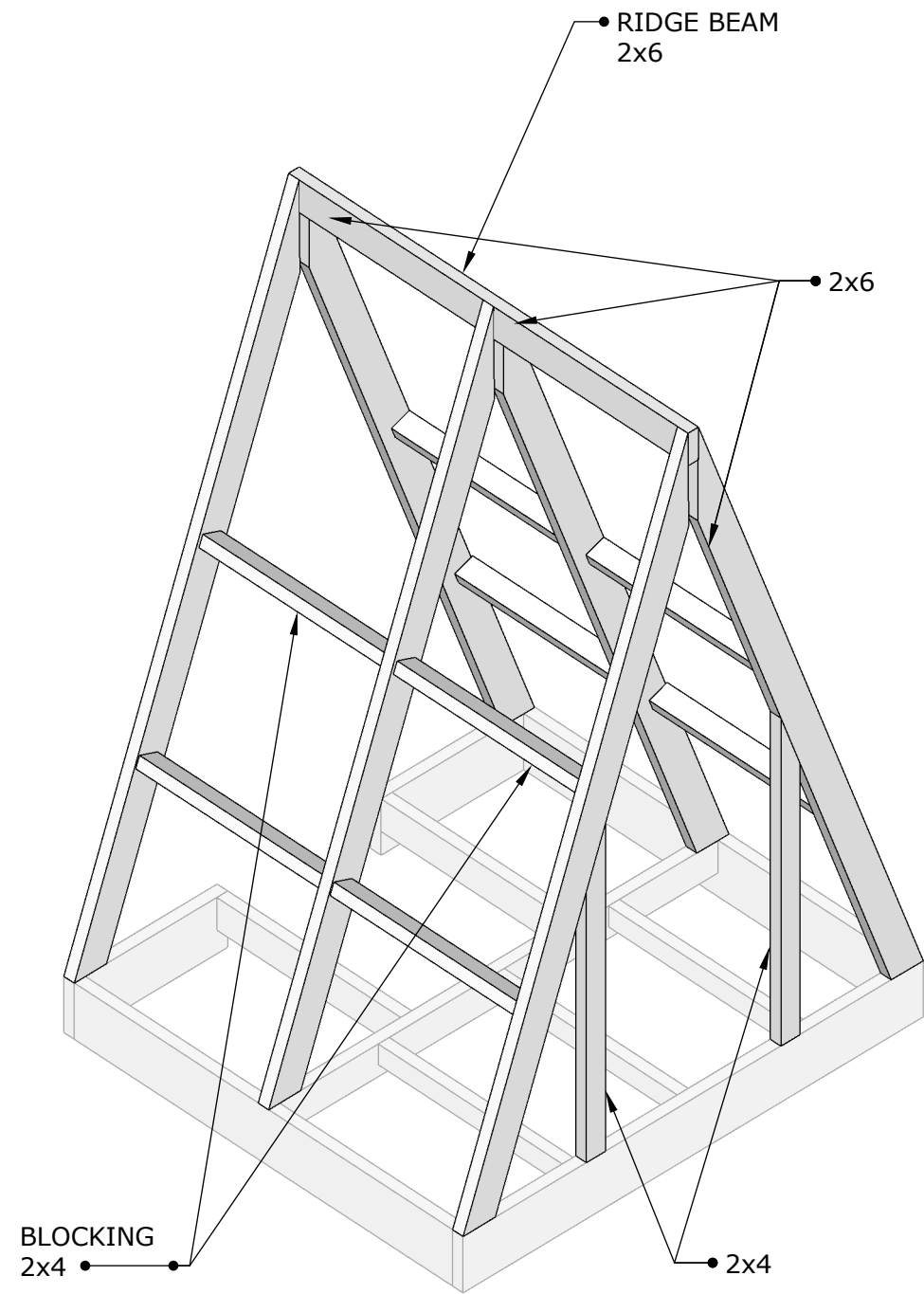
FOUNDATION - AXON

1	01	1/2" = 1'-0"
---	----	--------------



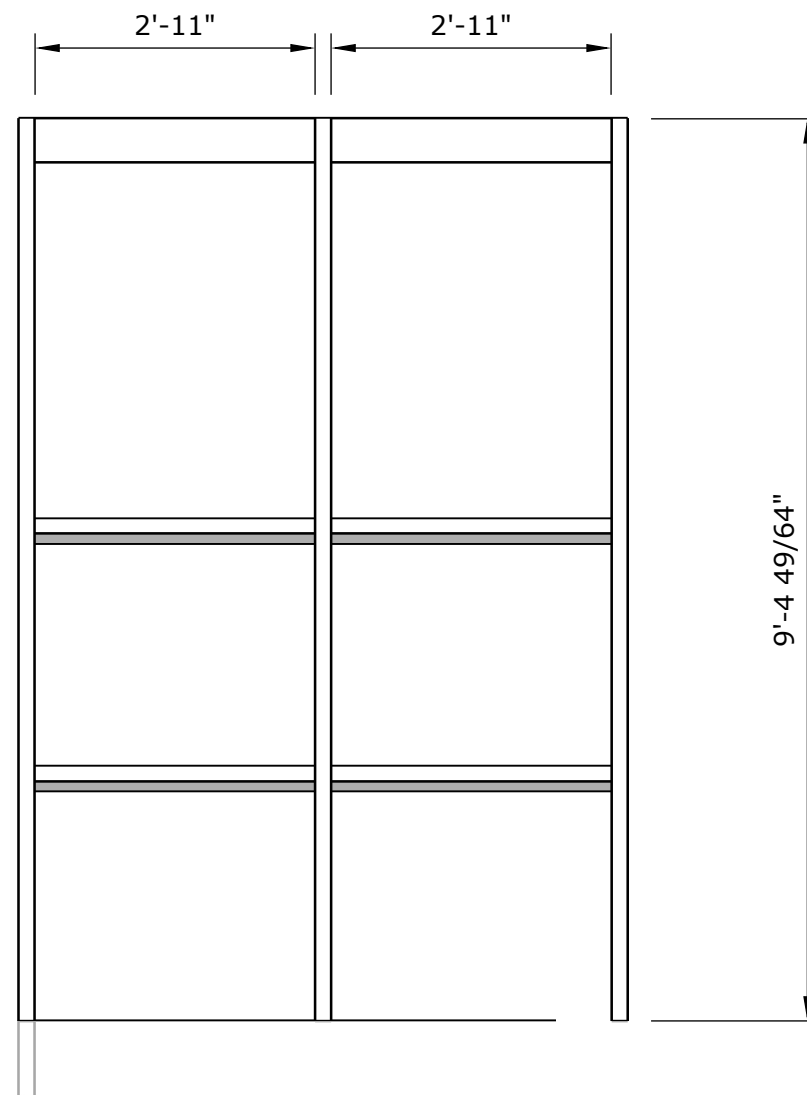
FOUNDATION - PLAN

1	02	1/2" = 1'-0"
---	----	--------------



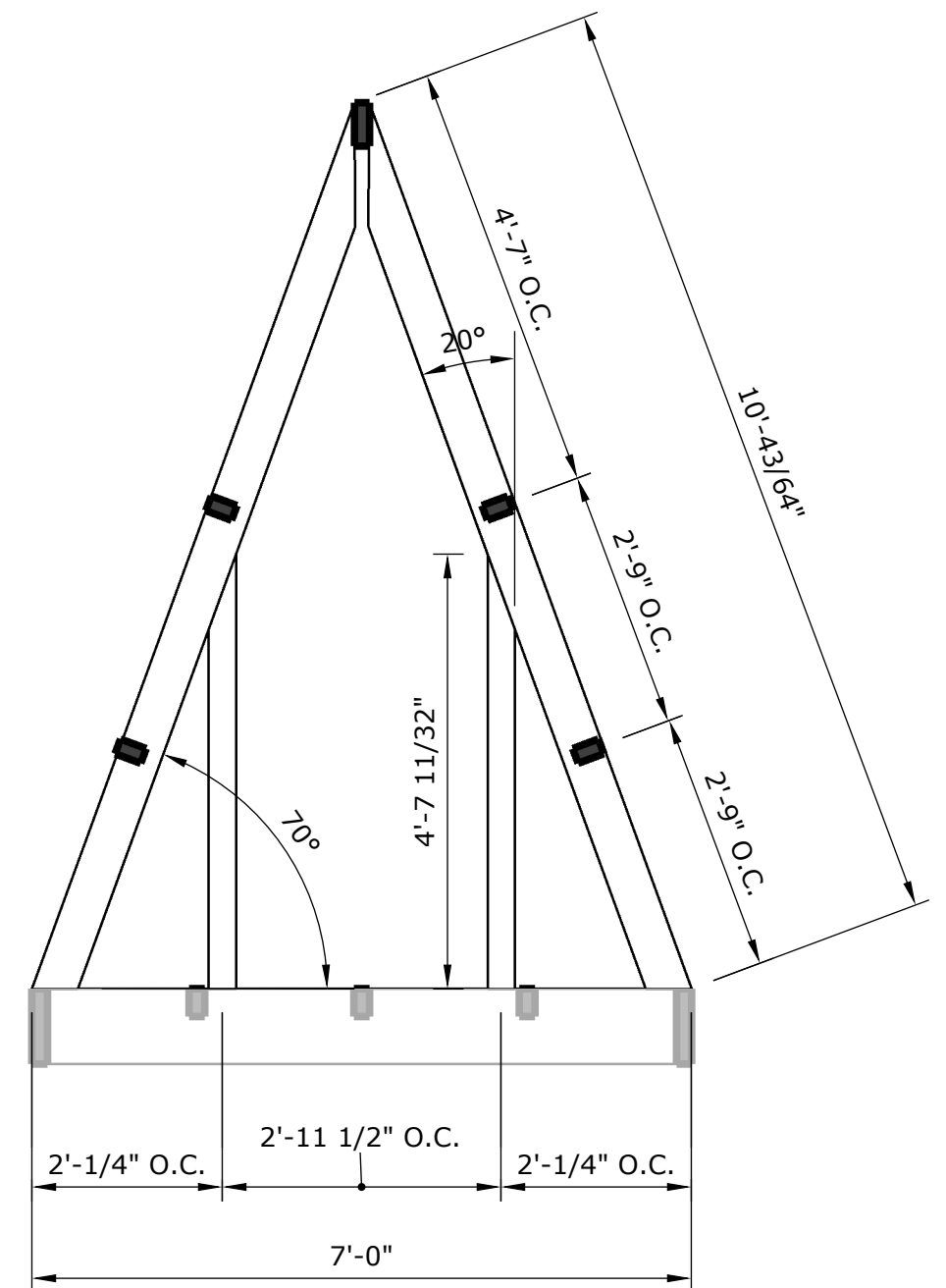
RAFTERS – AXON

2	O1	1/2" = 1'-0"
---	----	--------------



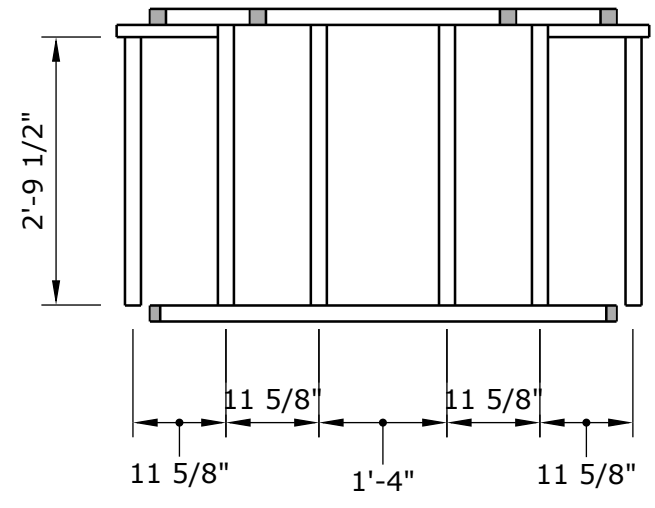
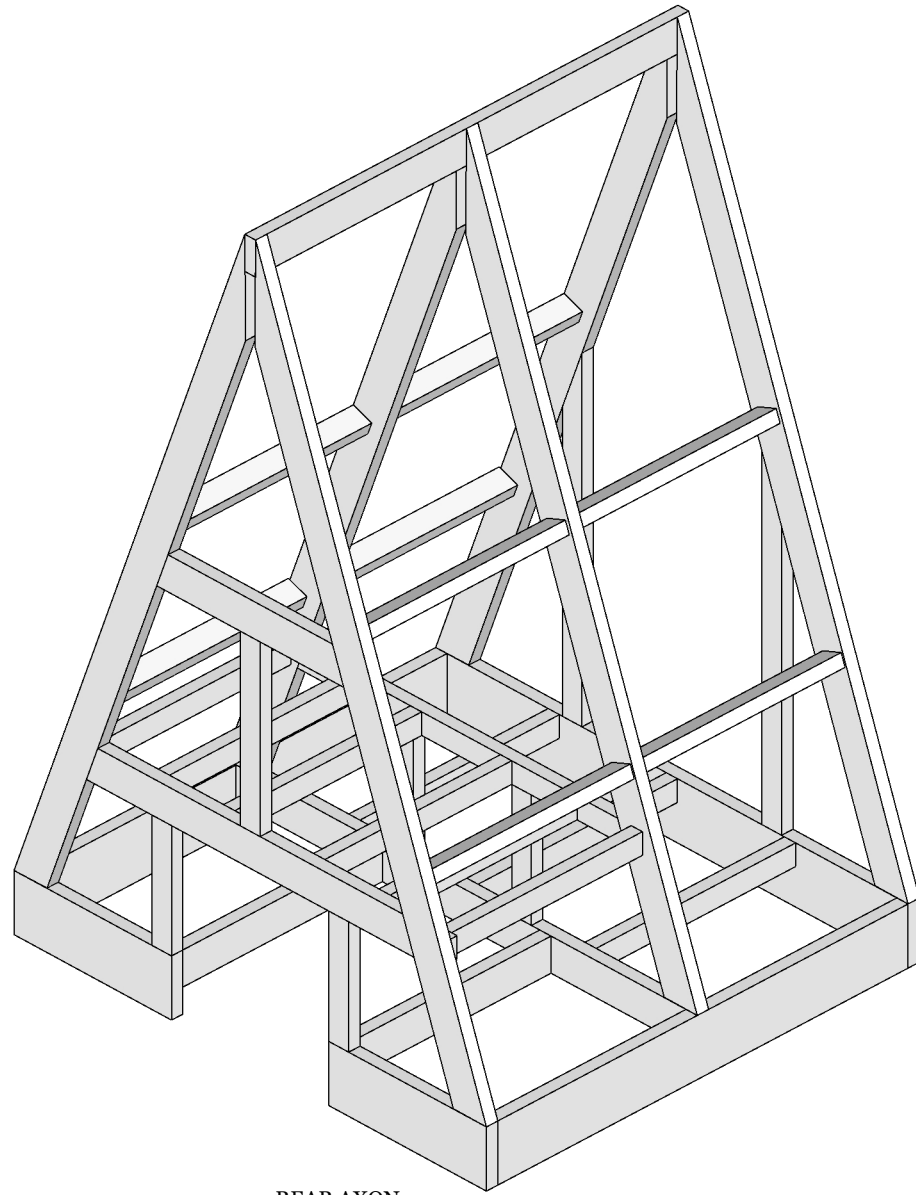
RAFTERS – SIDE ELEVATION

2	O2	1/2" = 1'-0"
---	----	--------------



RAFTERS – FRONT SECTION

2	O3	1/2" = 1'-0"
---	----	--------------

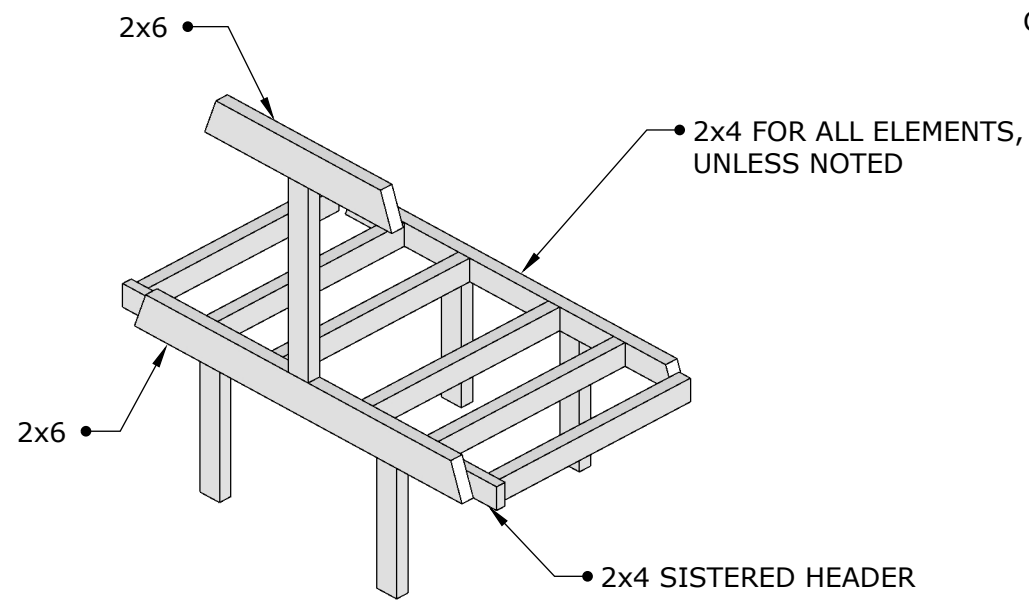


TOILET LEDGE - PLAN

3 03 1/2" = 1'-0"

REAR AXON

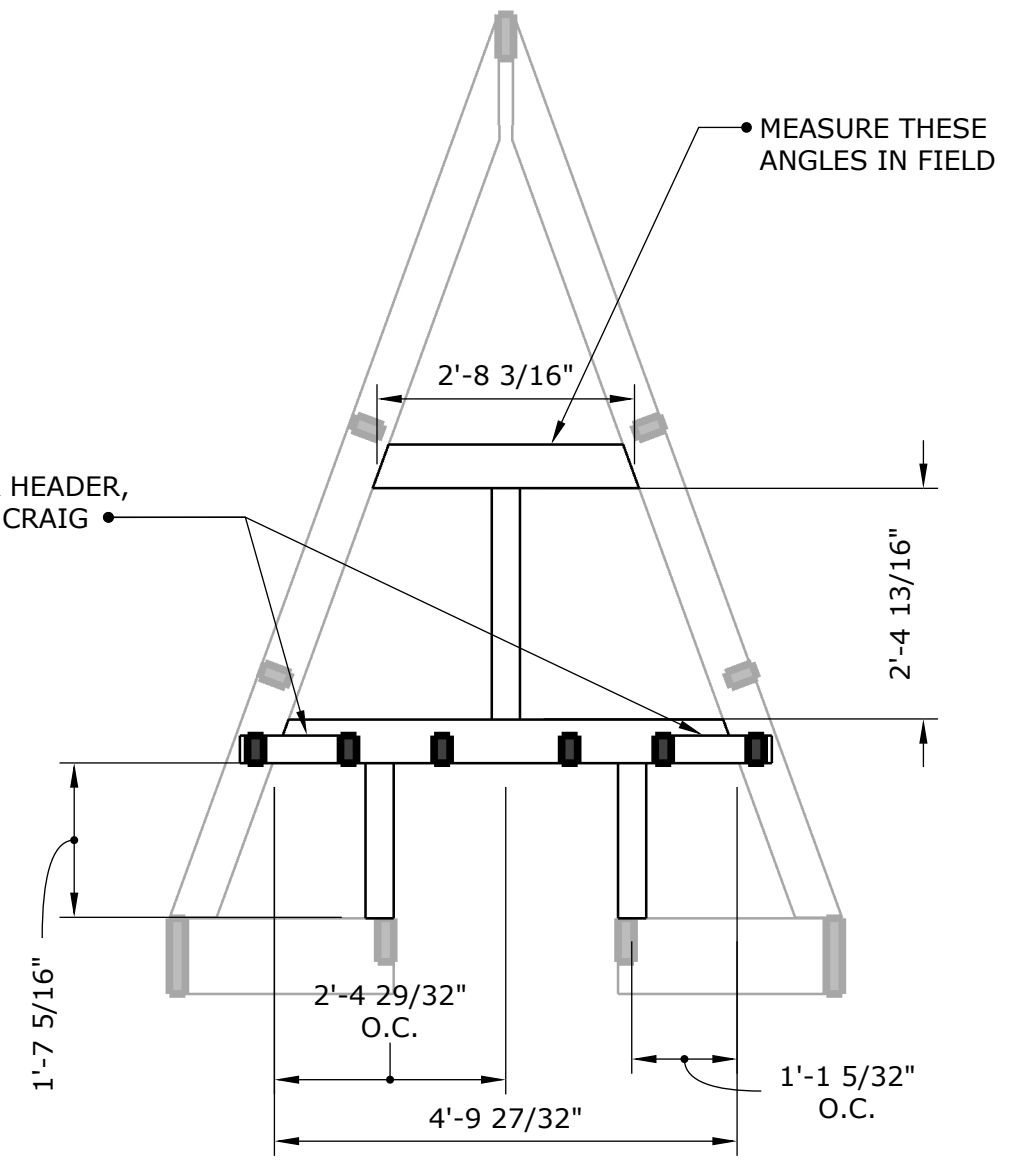
3 01 1/2" = 1'-0"



TOILET LEDGE - REAR AXON

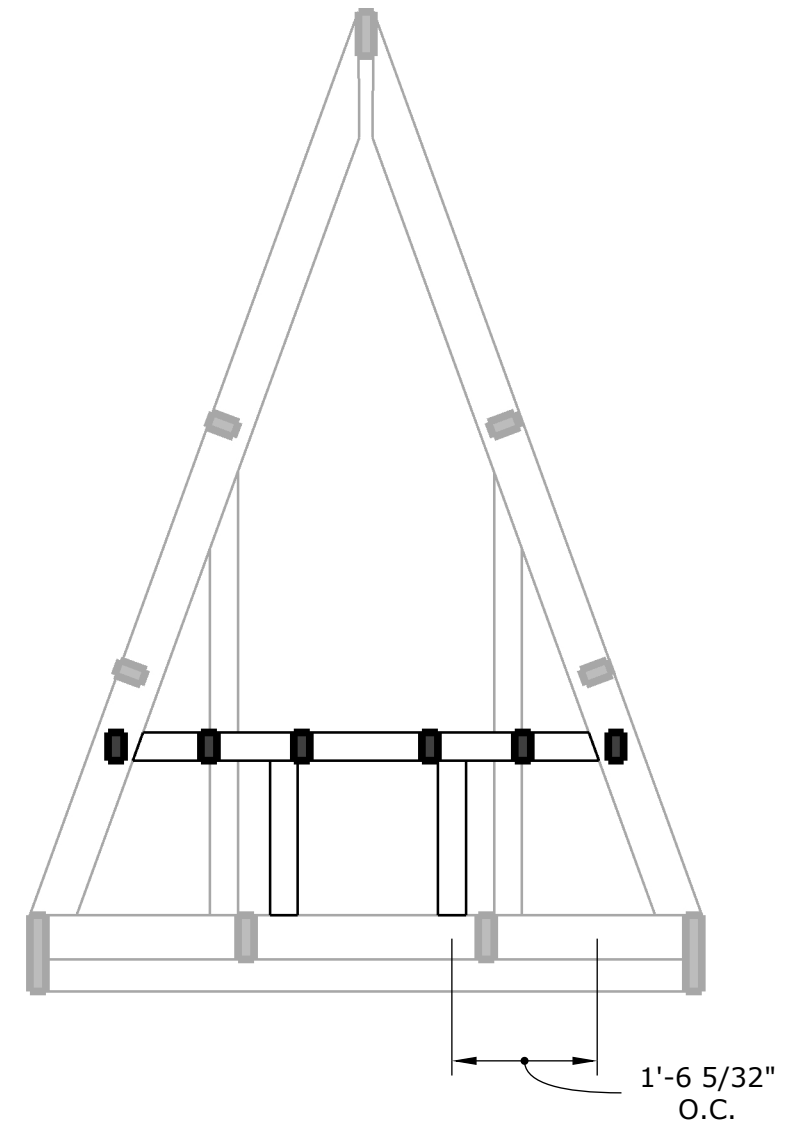
3 02 1/2" = 1'-0"

SISTERED REAR HEADER, CONFIRM WITH CRAIG



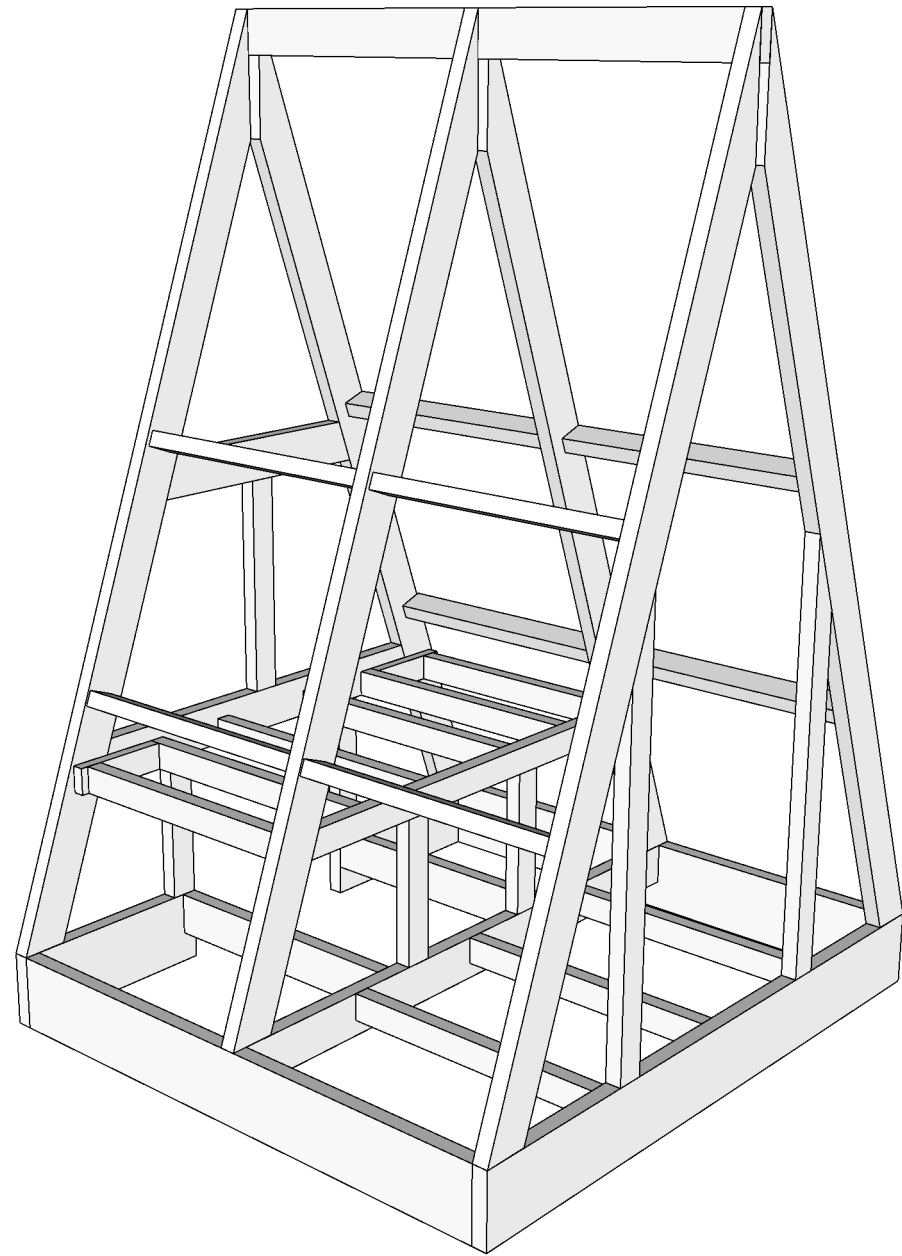
TOILET LEDGE - REAR SECTION

3 04 1/2" = 1'-0"



TOILET LEDGE - FRONT SECTION

3 05 1/2" = 1'-0"



TOILET LEDGE – PERSPECTIVE

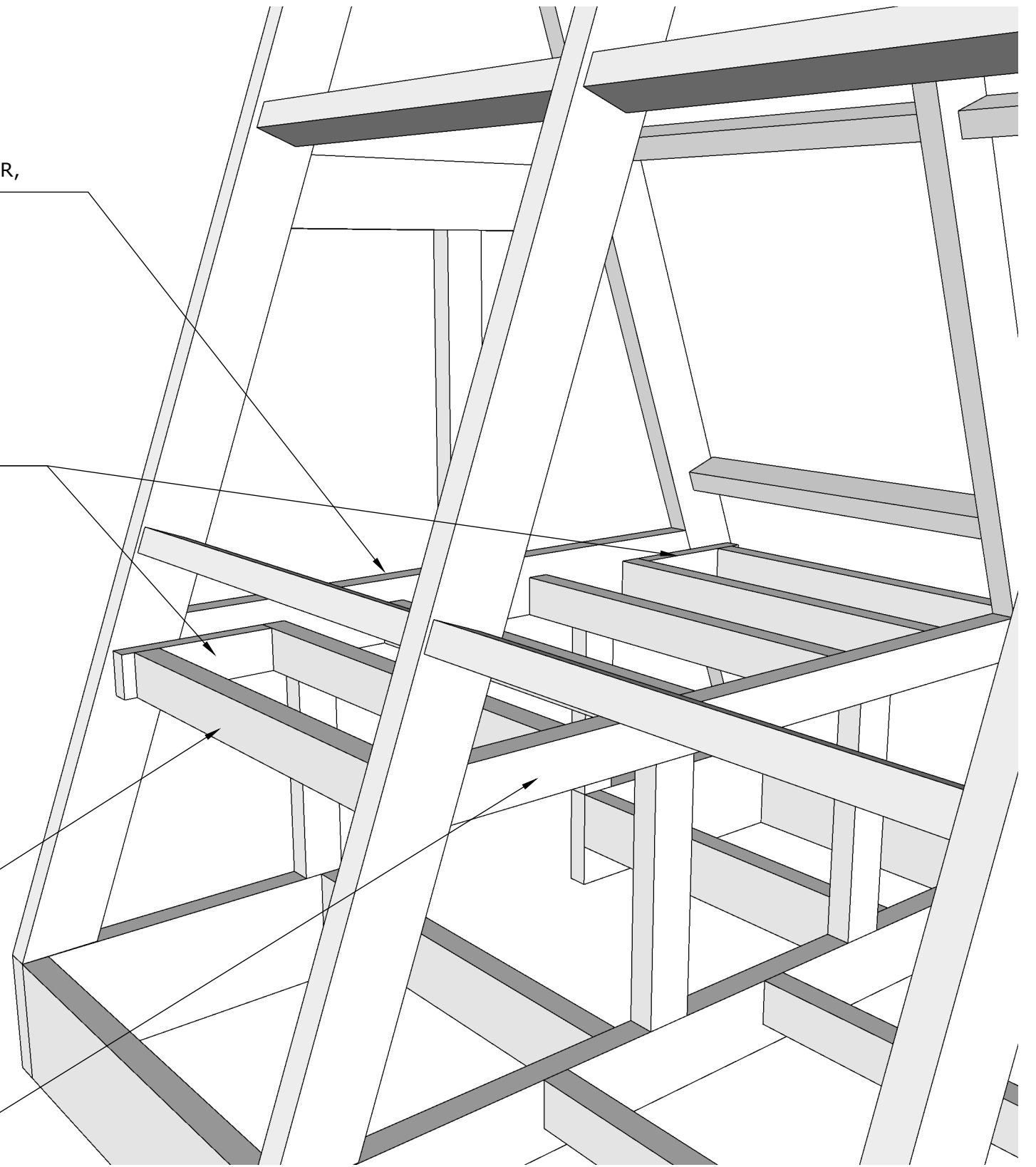
4 01

REAR HEADER,
2x6

SISTERED HEADER,
2x4. TAKE MEASUREMENT
IN THE FIELD

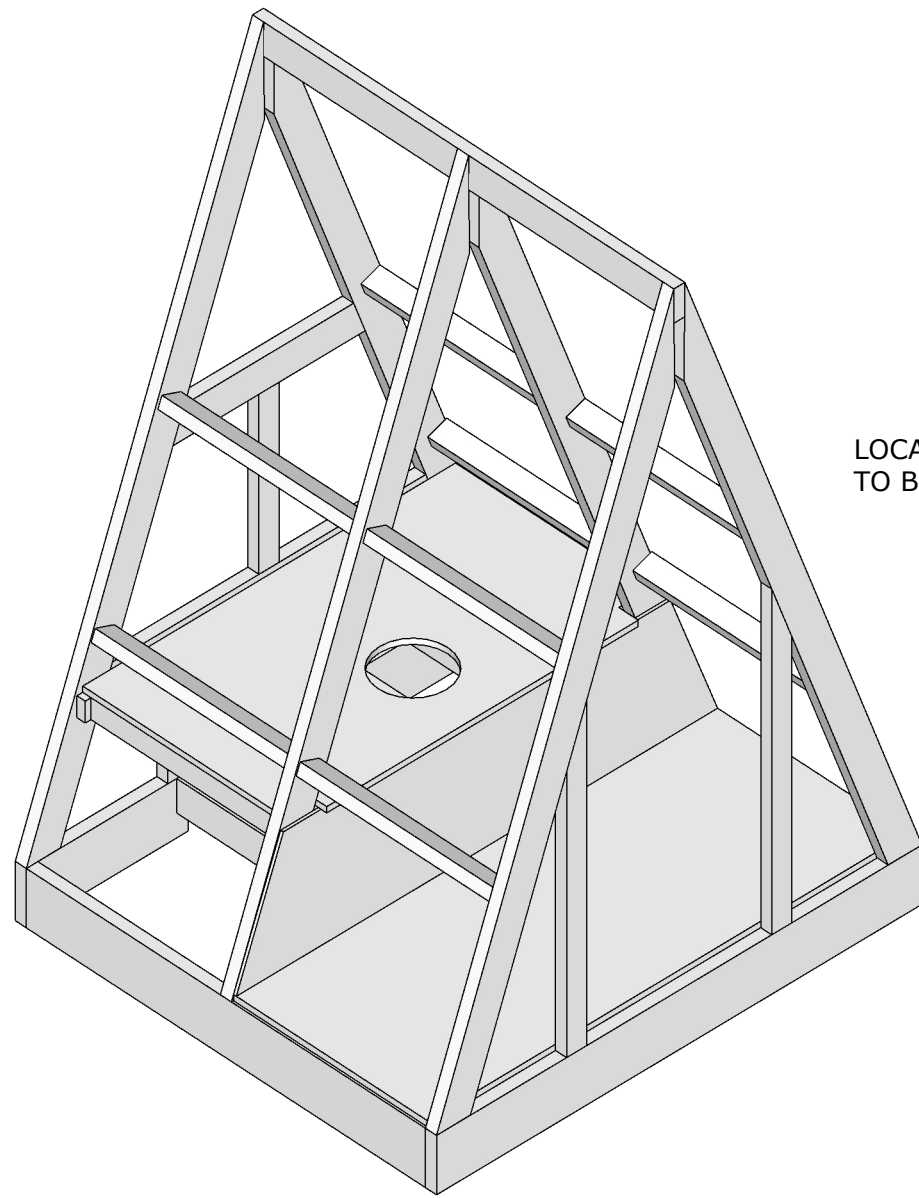
JOISTS, 2x4 WITH
JOIST HANGERS

FRONT HEADER,
2x4



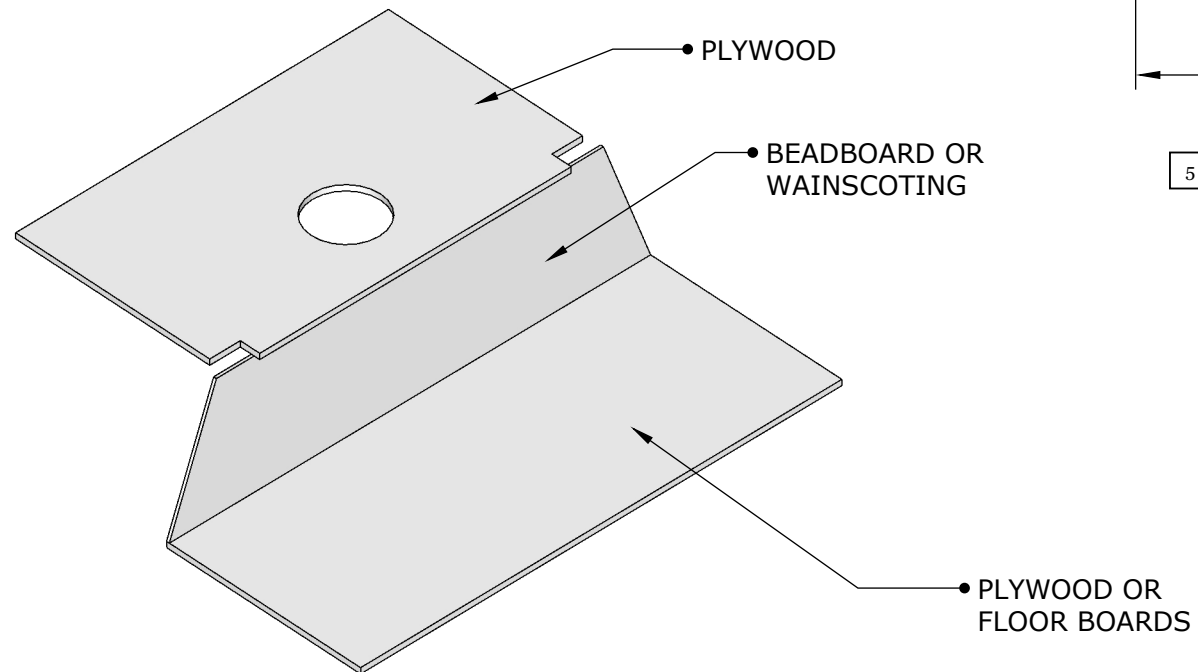
TOILET LEDGE – DETAIL PERSPECTIVE

4 02



INTERIOR - AXON

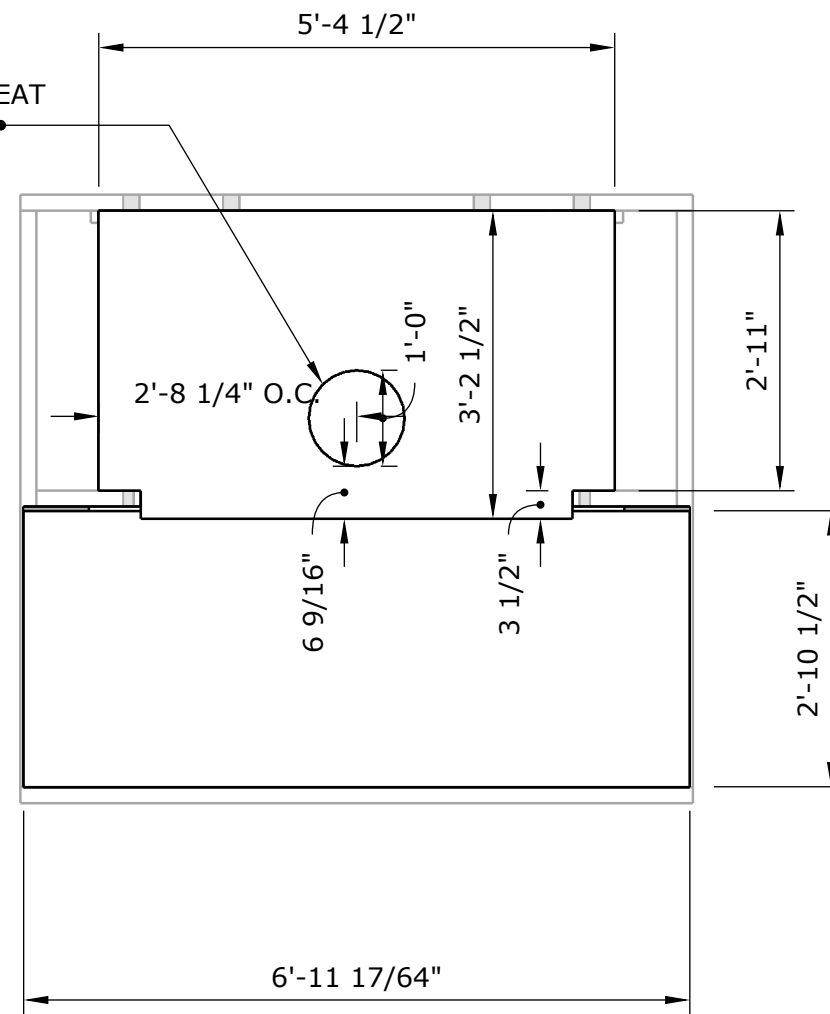
5 01 1/2" = 1'-0"



INTERIOR - DETAIL AXON

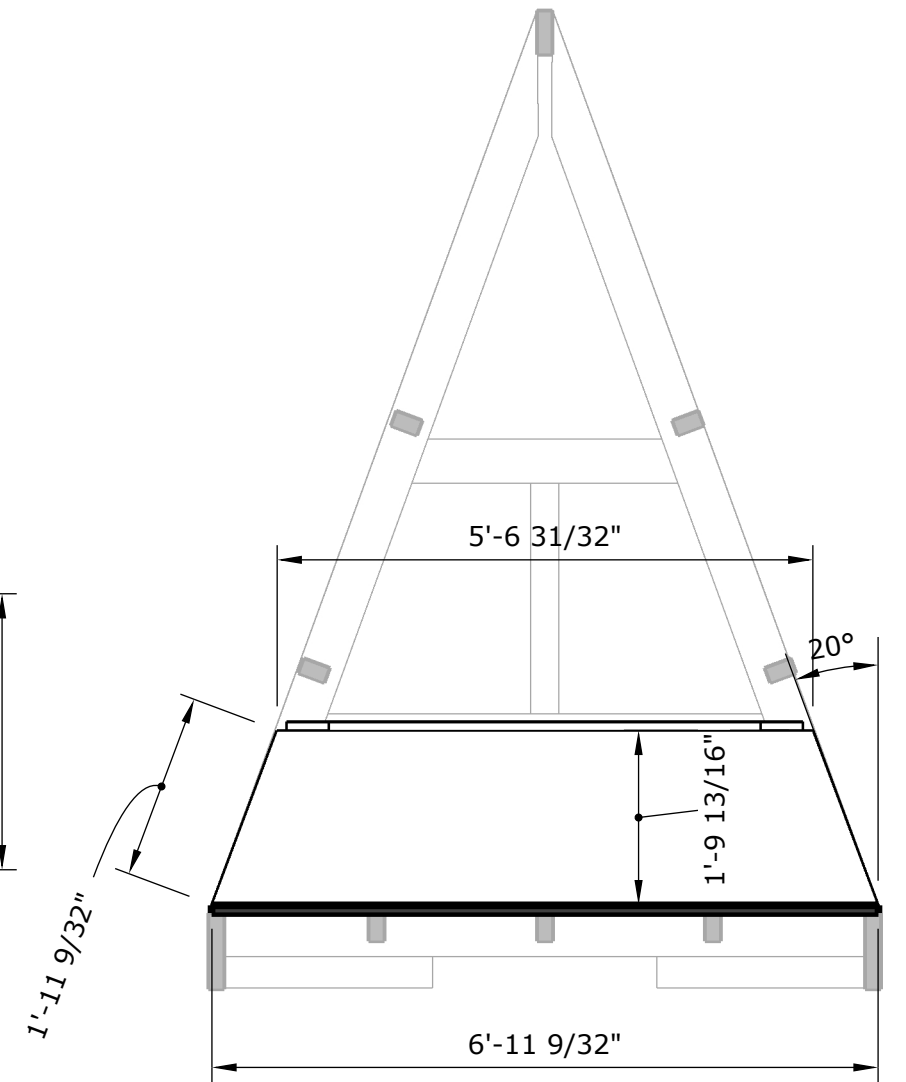
5 02 1/2" = 1'-0"

LOCATION OF TOILET SEAT
TO BE FIELD VERIFIED



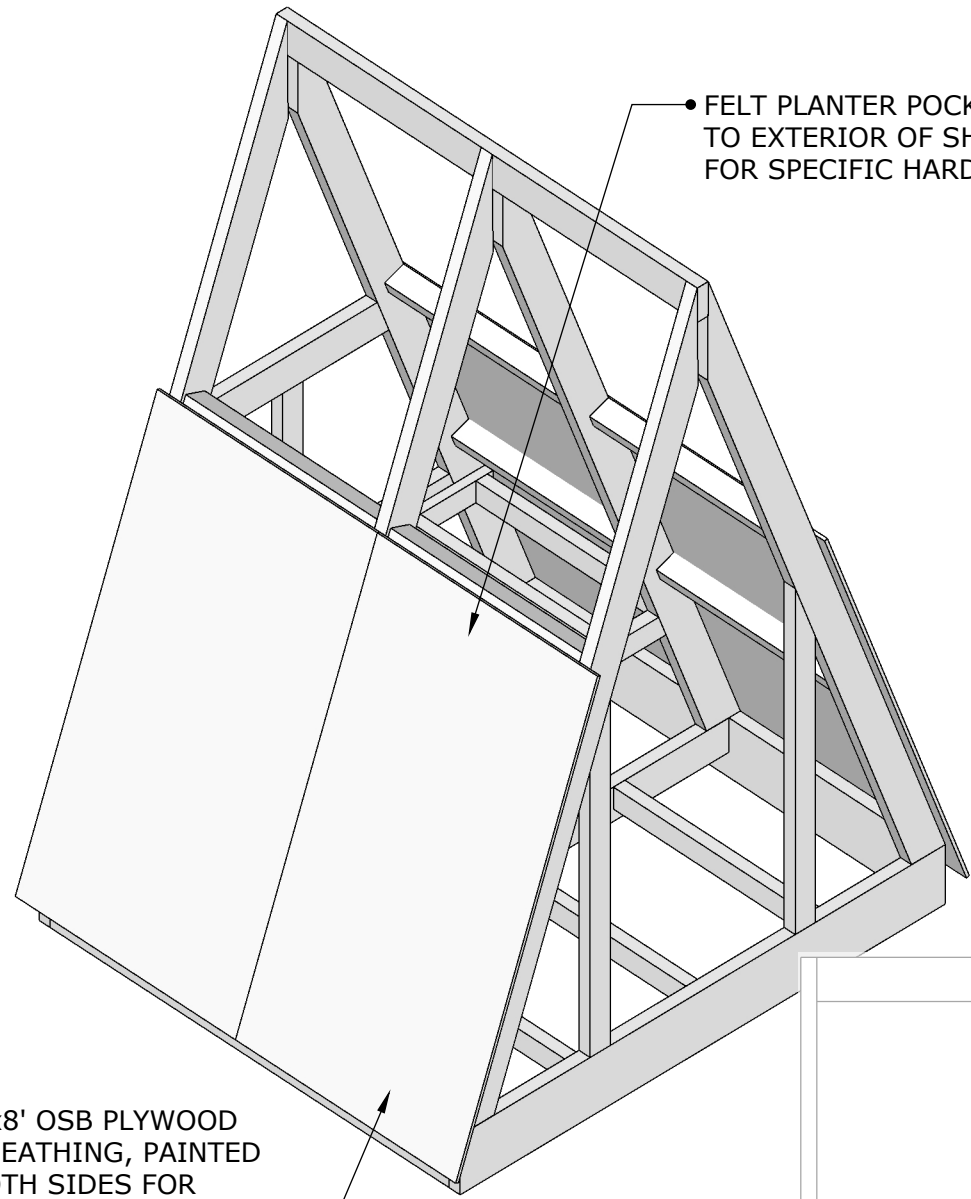
INTERIOR - PLAN

5 03 1/2" = 1'-0"



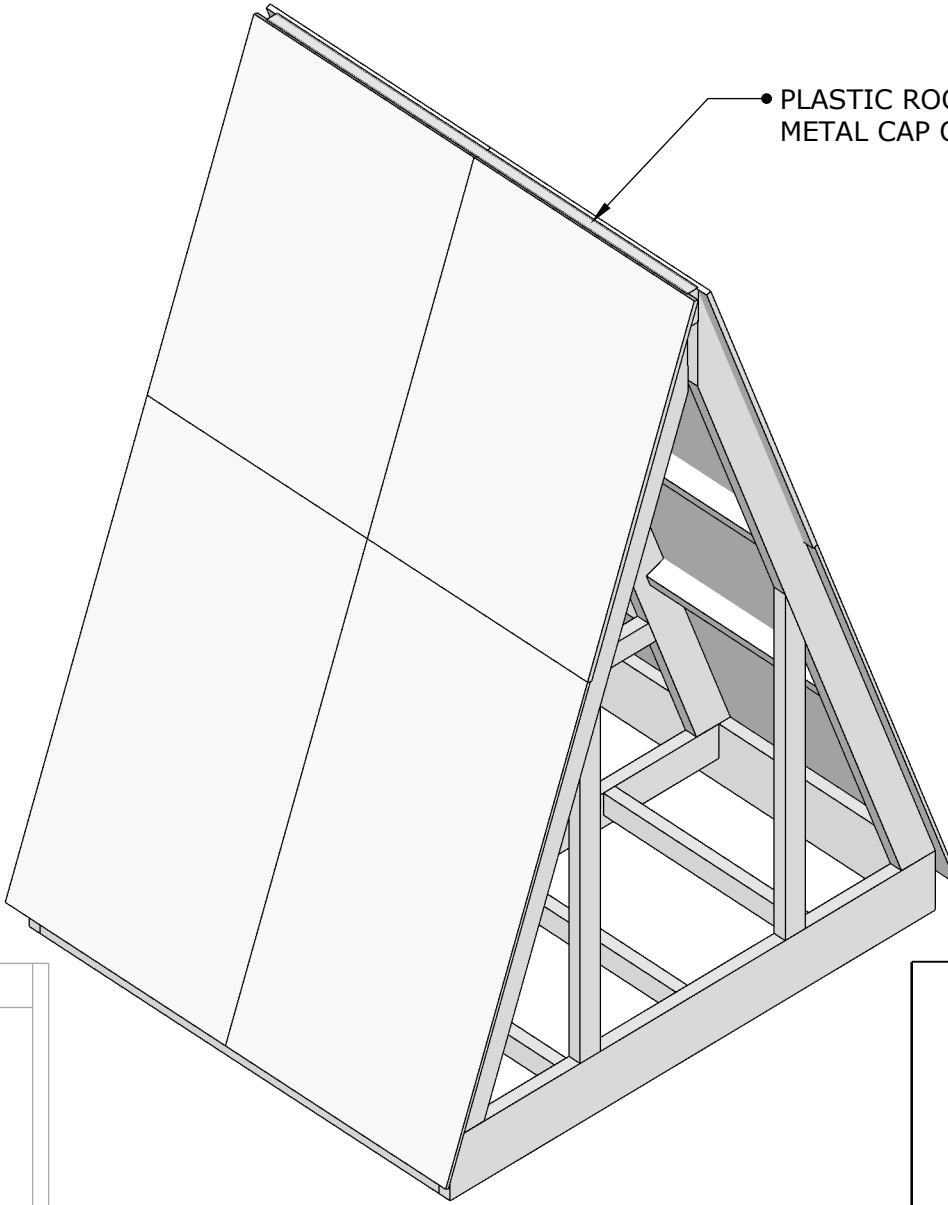
INTERIOR - BACK SECTION

5 04 1/2" = 1'-0"



FELT PLANTER POCKETS SCREWED TO EXTERIOR OF SHEATHING - ASK CRAIG FOR SPECIFIC HARDWARE TYPE

4'x8' OSB PLYWOOD SHEATHING, PAINTED BOTH SIDES FOR WATERPROOFING



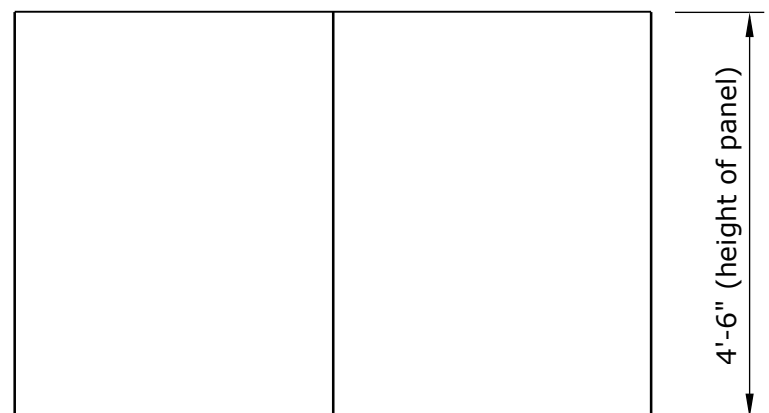
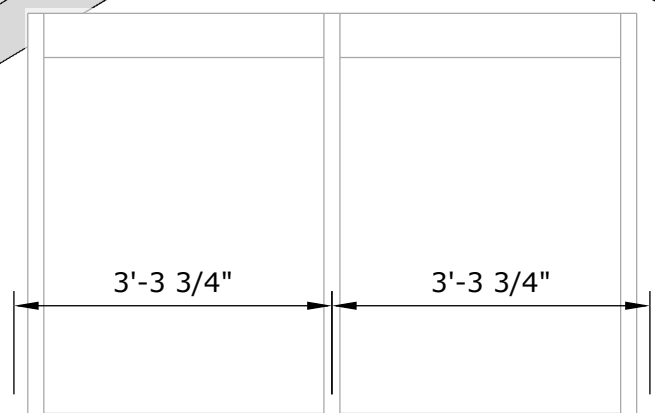
PLASTIC ROOFING PANELS, WITH METAL CAP ON TOP (BY CRAIG)

SIDE SHEATHING - AXON

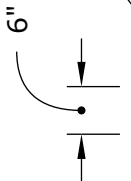
6	01	1/2" = 1'-0"
---	----	--------------

ROOFING - AXON

6	03	1/2" = 1'-0"
---	----	--------------

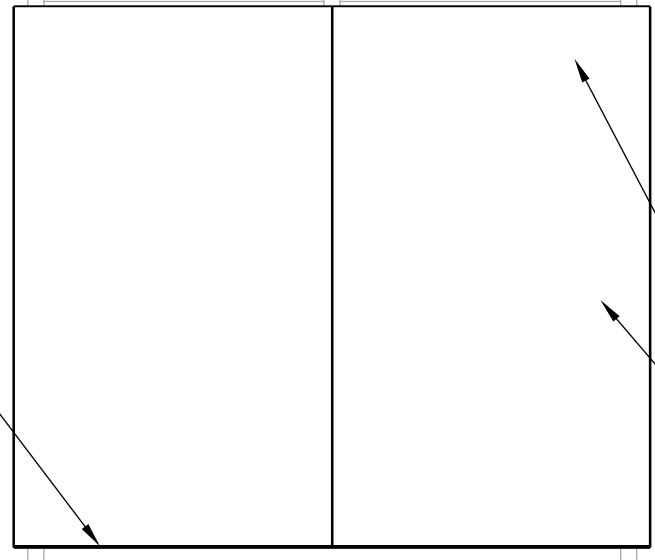


APPROX. 6" OF OVERHANG, WITH METAL DRIP EDGE (BY CRAIG)



PERHAPS METAL DRIP EDGE HERE - ASK CRAIG

6'-0" (height of plywood)



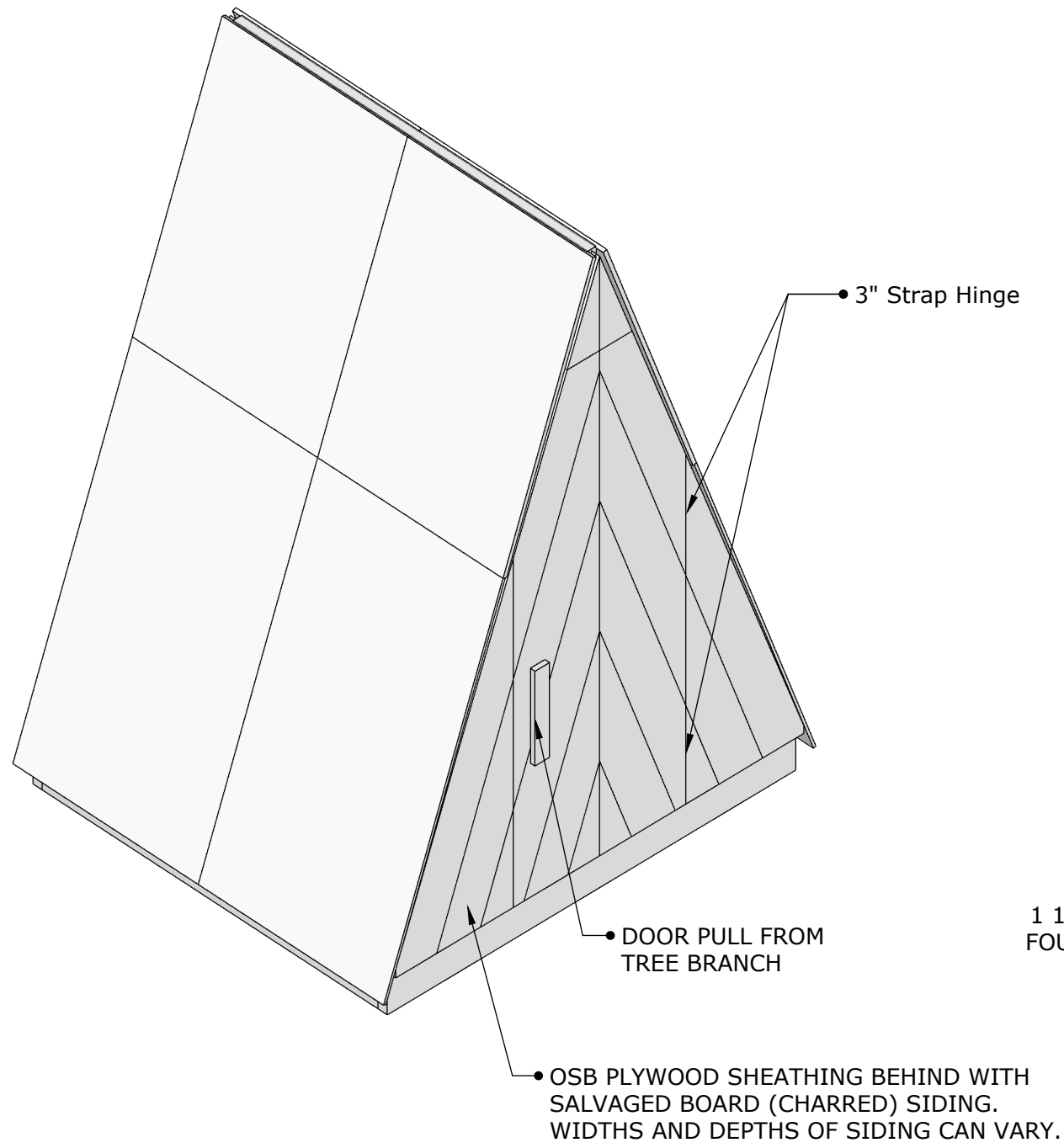
ATTACH SHEATHING TO FRAME VIA ANGLE BRACKETS AND BOLTS

SIDE SHEATHING - ELEVATION

6	02	1/2" = 1'-0"
---	----	--------------

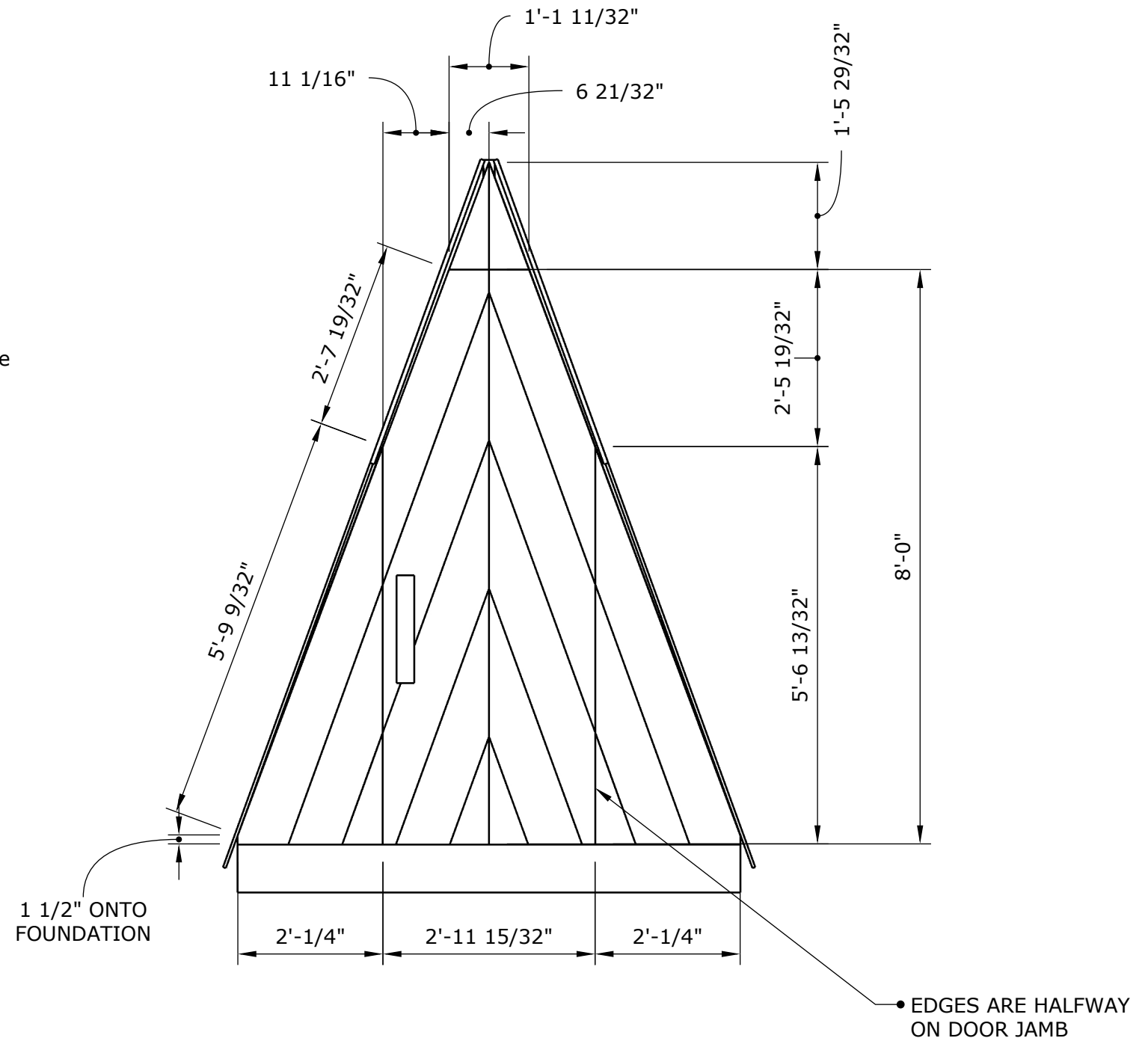
ROOFING - ELEVATION

6	04	1/2" = 1'-0"
---	----	--------------



FRONT SHEATHING / CLADDING – AXON

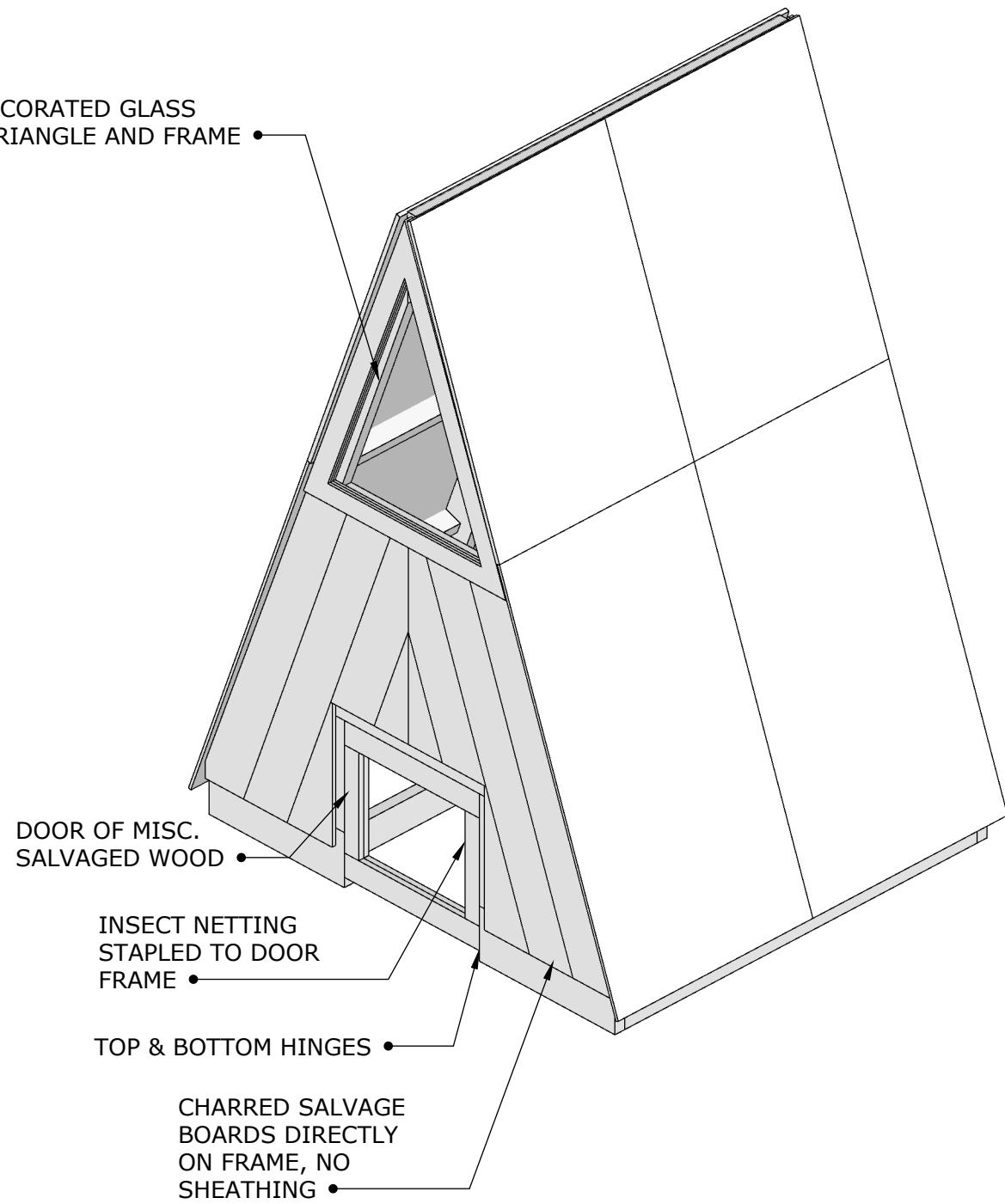
7	01	1/2" = 1'-0"
---	----	--------------



FRONT SHEATHING / CLADDING – ELEVATION

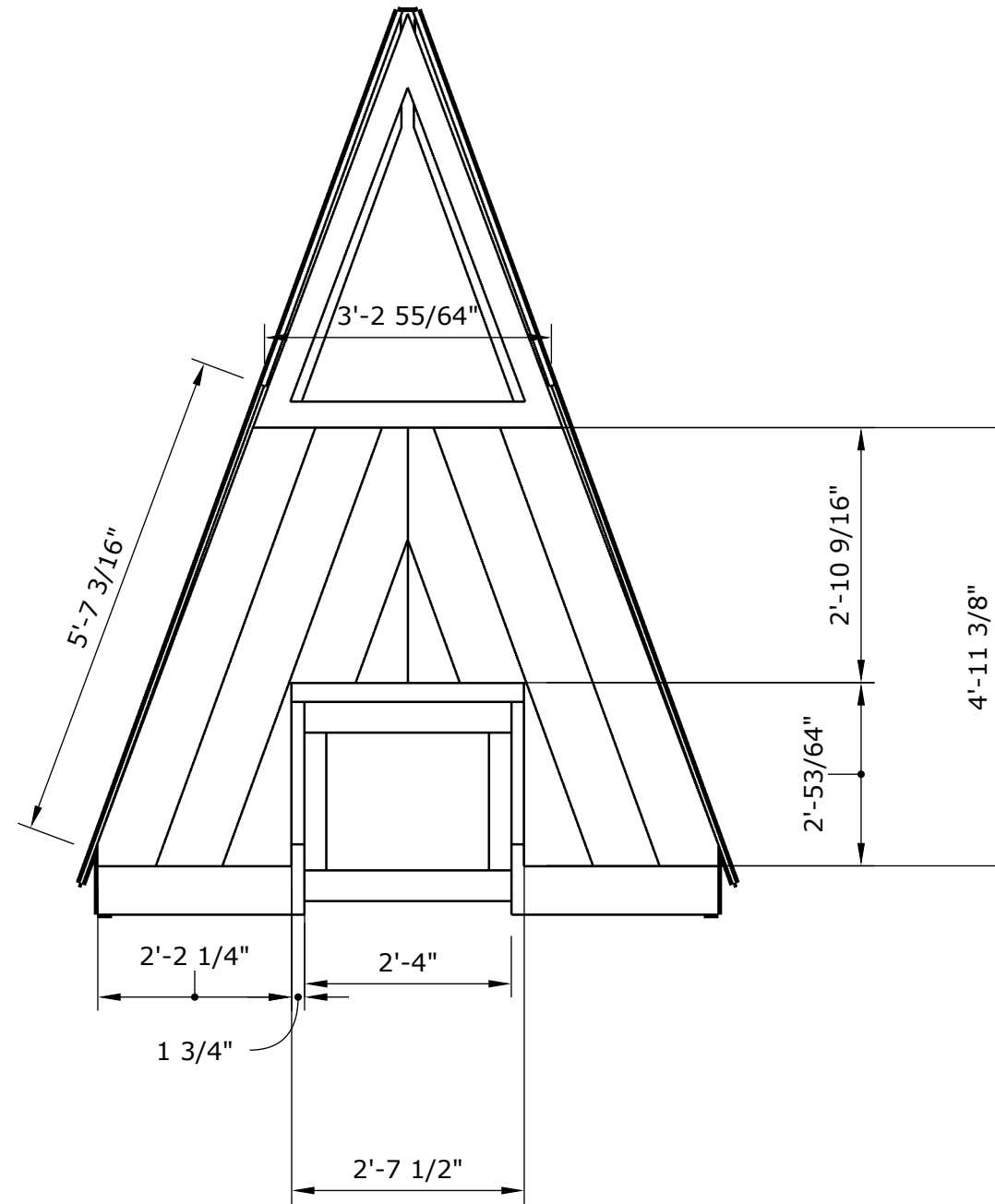
7	02	1/2" = 1'-0"
---	----	--------------

CUT DECORATED GLASS
INTO TRIANGLE AND FRAME



REAR CLADDING – AXON

8	01	1/2" = 1'-0"
---	----	--------------



REAR CLADDING – ELEVATION

8	02	1/2" = 1'-0"
---	----	--------------